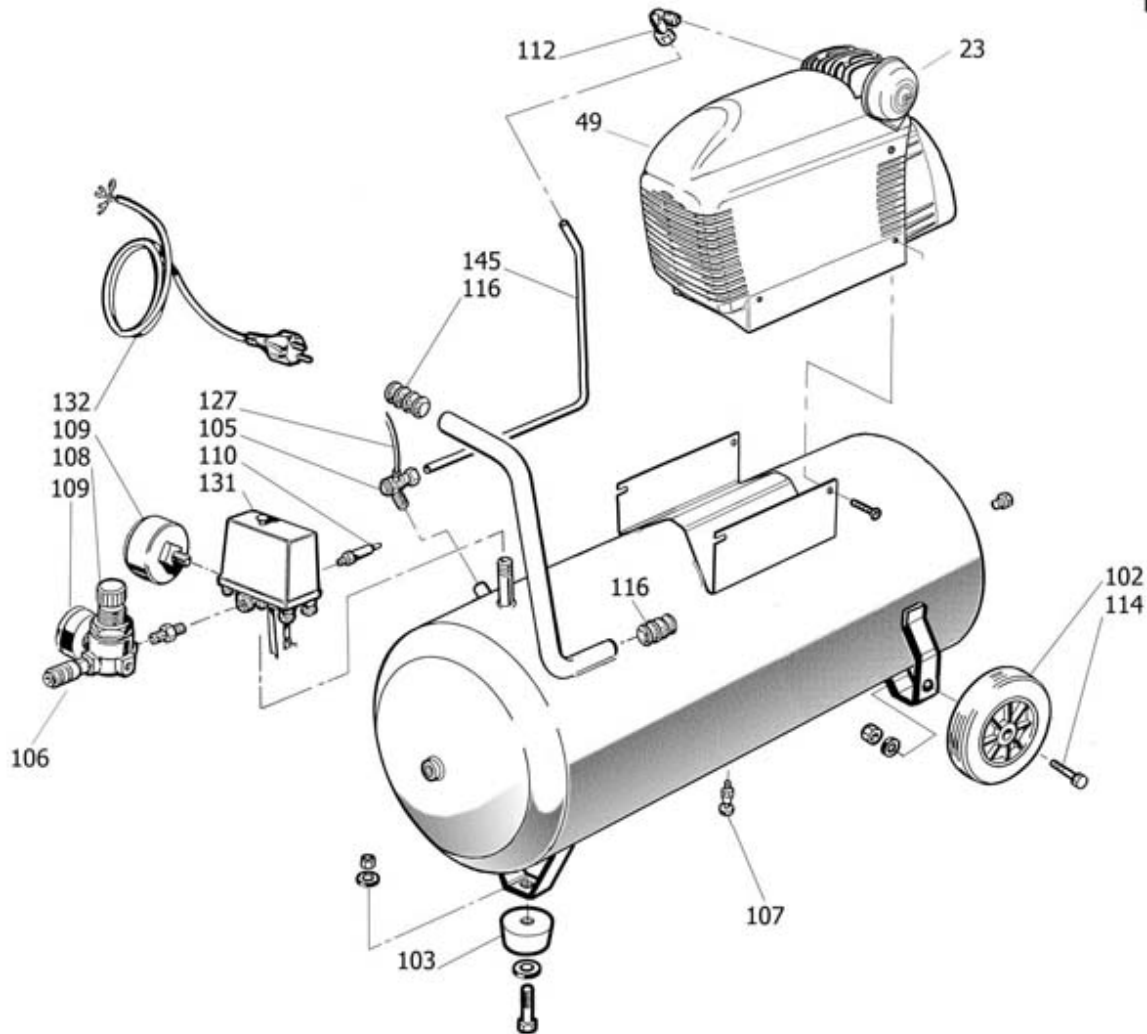


Spare Part Linsting

Validity from 05/10/11

BFCDD



Item	Code	Description	UM	Qty	Currency	Price	Availability
23	9411129	AIR FILTER D90 M16X1.5(7112002	PZ	1,0	USD	0,37	0,
49	9411092	PLASTIC COVER FC2X (7140004)	PZ	1,0	USD	1,19	0,
101	9413205003	TANK 50 3020 FC2 MOR (=CE)	PZ	1,0	USD	0,	0,
102	9412038	WHEEL D.150 D15 L37 (0060001)	PZ	2,0	USD	1,68	0,
103	9038066	RUBBER FOOT H=45 D=59 55HS	PZ	1,0	USD	0,54	0,
105	9048025	NON RET.VAL.1/2-BIC10V	PZ	1,0	USD	1,50	0,
106	9412204	QUICK COUPLING 1/4"M (0140007)	PZ	1,0	USD	1,04	0,
107	9053063	DRAIN.VALVE 3/8"	PZ	1,0	USD	0,67	0,
108	9051116	PRESS.RED I1/4 O1/4 G1/8 STD R	PZ	1,0	USD	3,60	0,
109	9052014	GAUGE 50 1/4 S 0-16 8BAR	PZ	1,0	USD	1,52	0,
109	9052092	GAUGE 40 1/8 S 0-12	PZ	1,0	USD	0,95	0,
110	9412464	SAF.VALVE 1/4" STAMPED(0160007	PZ	1,0	USD	1,81	0,
112	9053159	ELBOW 3/8"M D.CON.10,2(0200017	PZ	1,0	USD	0,82	0,
114	9412035	WHEEL PIN D15 M12 150(0070001)	PZ	2,0	USD	0,59	0,
116	9038001	PLUG HANDLE 17/20 RA20(0120001	PZ	2,0	USD	0,16	0,
118	9050547	EXTENS.M/M R3/8 R3/8 H60 EXAG.	PZ	1,0	USD	0,12	0,

127	9270006	RILSAN PIPE 4/6 BLACK(0280001)	MT	0,3	USD	1 ,02	0,
131	9063084	PRESS.SW.4W 3/8"OL200 8B	PZ	1,0	USD	3 ,74	0,
132	9065061	CORD 3X1X1300 SCHUKO (0100002)	PZ	1,0	USD	1 ,08	0,
145	9043229	SEND.PIPE NEW 50 LT FC (INT)	PZ	1,0	USD	2 ,02	0,
200	FC0000B	GR.FC2 HP2 V230-50 (AL)	PZ	1,0	USD	44 ,00	0,
300	9420078	KIT WHEELS D150 1RF 50L	PZ	1,0	USD	5 ,50	0,

[BACK](#)